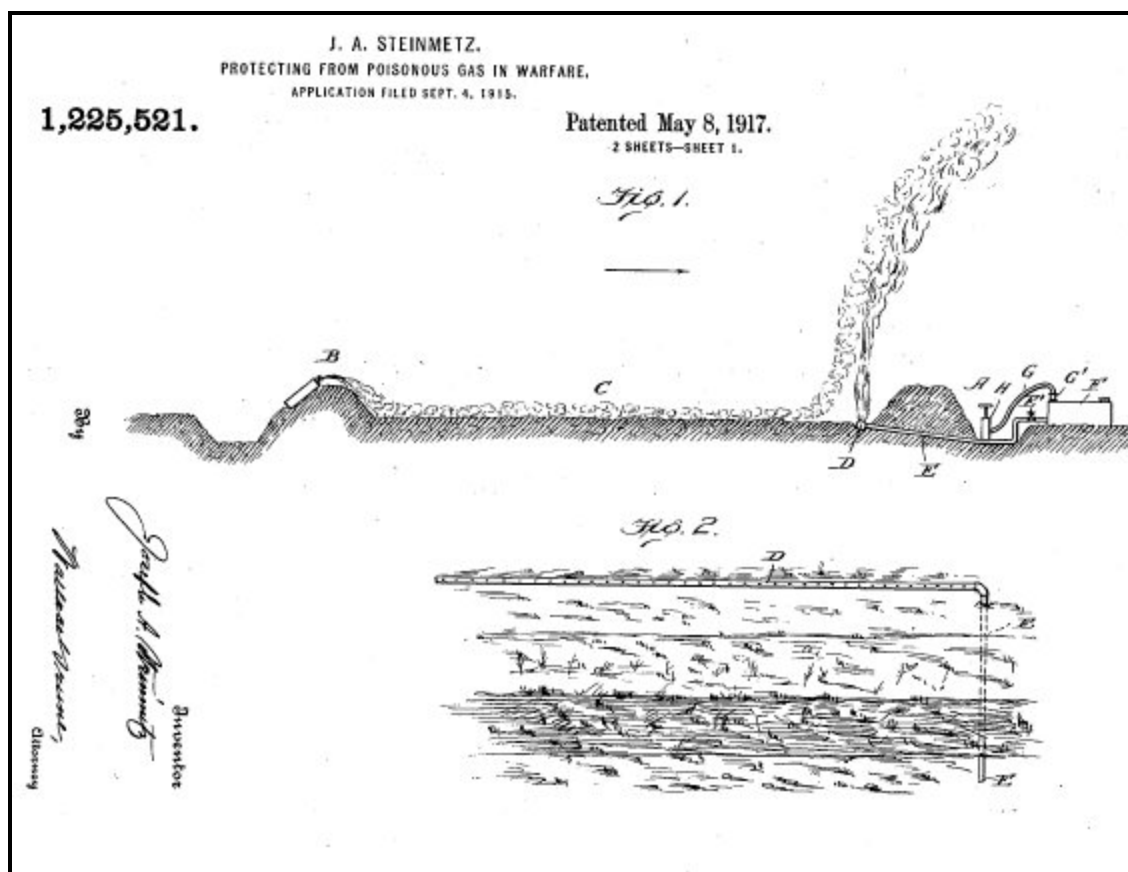


Patently Obvious

A Partial History of Aerosol and Weather Related Technologies

July 30, 2003

Lorie Kramer seektress@ev1.net



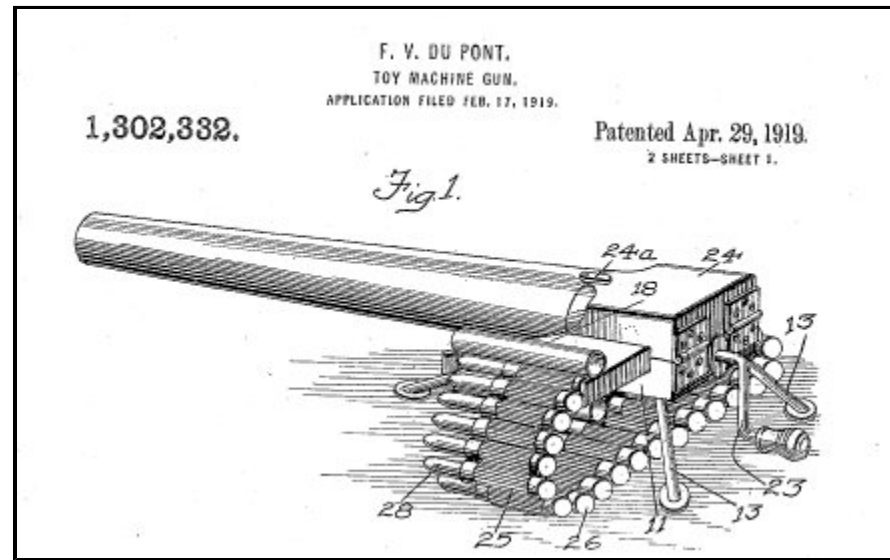
1225521 - May 8, 1917 - Protection From Poisonous Gas in Warfare

Referenced in 4704942 - Charged aerosol

"A method of defending against a warfare cloud of toxic aerosol utilizes a charged defensive aerosol which is sprayed into the cloud.

The defensive aerosol is made of a defensive agent

which may be chemically or biologically active."



1302332 - April 29, 1919 - Toy Machine Gun - F.V. Du Pont

*Referenced in - 4141274 which is for a smoke generator,
which evolved into the particle and aerosol devices in use today.*

The history of interest in aerosol and weather related technologies and devices is evident when a list of related patents is compiled and examined, even a partial list.

The following patents are all verifiable, along with additional information that can be found by reading the referenced patents included in the documentation. Patent information can be found by visiting the

[United States Patent and Trademark Office](http://www.uspto.gov/)

1338343 - April 27, 1920 - Process And Apparatus For The Production of Intense Artificial Clouds, Fogs, or Mists

1619183 - March 1, 1927 - Process of Producing Smoke Clouds From Moving Aircraft

1631753 - June 7, 1927 - Electric Heater - Referenced in 3990987

1665267 - April 10, 1928 - Process of Producing Artificial Fogs

1892132 - December 27, 1932 - Atomizing Attachment For Airplane Engine Exhausts

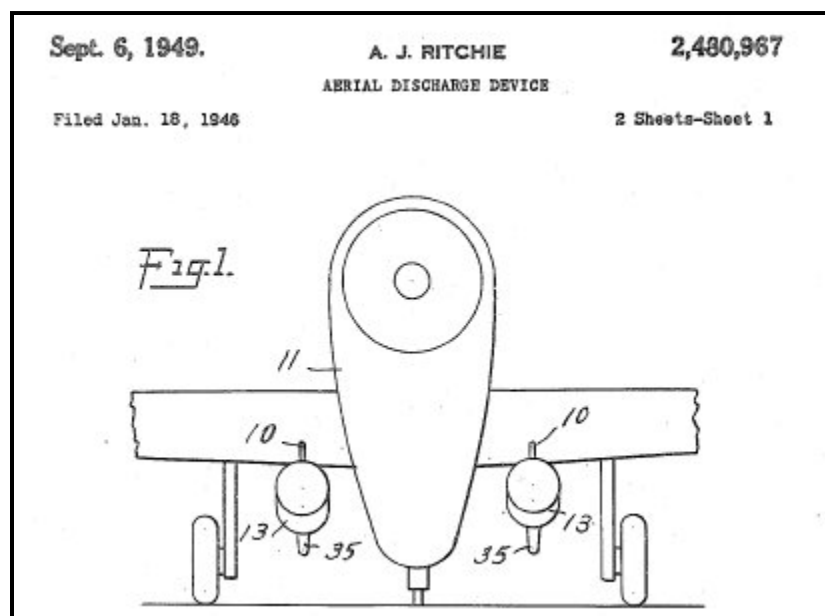
1928963 - October 3, 1933 - Electrical System And Method

1957075 - May 1, 1934 - Airplane Spray Equipment

2097581 - November 2, 1937 - Electric Stream Generator - Referenced in 3990987

2409201 - October 15, 1946 - Smoke Producing Mixture

2476171 - July 18, 1945 - Smoke Screen Generator



2480967 - September 6, 1949 - Aerial Discharge Device

2550324 - April 24, 1951 - Process For Controlling Weather

2510867 - October 9, 1951 - Method of Crystal Formation and Precipitation

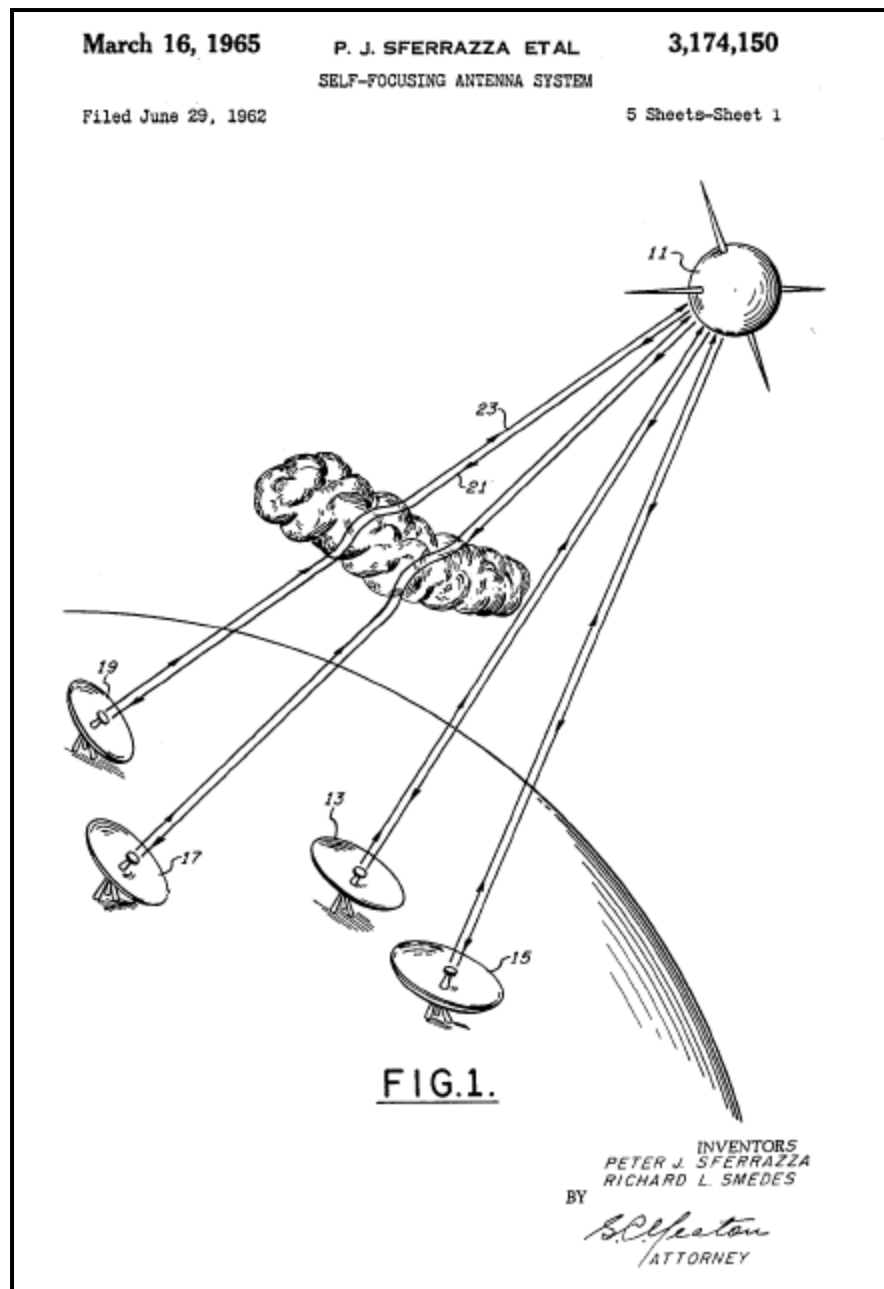
2582678 - June 15, 1952 - Material Disseminating Apparatus For Airplanes

2591988 - April 8, 1952 - Production of TiO₂ Pigments - Referenced in 3899144

2614083 - October 14, 1952 - Metal Chloride Screening Smoke Mixture

2633455 - March 31, 1953 - Smoke Generator

- 2688069 - August 31, 1954 - Steam Generator - Referenced in 3990987**
- 2721495 - October 25, 1955 - Method And Apparatus For Detecting Minute Crystal Forming Particles Suspended in a Gaseous Atmosphere**
- 2730402 - January 10, 1956 - Controllable Dispersal Device**
- 2801322 - July 30, 1957 - Decomposition Chamber for Monopropellant Fuel - Referenced in 3990987**
- 2881335 - April 7, 1959 - Generation of Electrical Fields**
- 2908442 - October 13, 1959 - Method For Dispersing Natural Atmospheric Fogs And Clouds**
- 2986360 - May 30, 1962 - Aerial Insecticide Dusting Device**
- 2963975 - December 13, 1960 - Cloud Seeding Carbon Dioxide Bullet**
- 3126155 - March 24, 1964 - Silver Iodide Cloud Seeding Generator - Referenced in 3990987**
- 3127107 - March 31, 1964 - Generation of Ice-Nucleating Crystals**
- 3131131 - April 28, 1964 - Electrostatic Mixing in Microbial Conversions**



3174150 - March 16, 1965 - Self-Focusing Antenna System

3234357 - February 8, 1966 - Electrically Heated Smoke Producing Device

3274035 - September 20, 1966 - Metallic Composition For Production of Hygroscopic Smoke
3300721 - January 24, 1967 - Means For Communication Through a Layer of Ionized Gases
3313487 - April 11, 1967 - Cloud Seeding Apparatus
3338476 - August 29, 1967 - Heating Device For Use With Aerosol Containers - Referenced in 3990987
3410489 - November 12, 1968 - Automatically Adjustable Airfoil Spray System With Pump
3429507 - February 25, 1969 - Rainmaker
3432208 - November 7, 1967 - Fluidized Particle Dispenser
3441214 - April 29, 1969 - Method And Apparatus For Seeding Clouds
3445844 - May 20, 1969 - Trapped Electromagnetic Radiation Communications System
3456880 - July 22, 1969 - Method Of Producing Precipitation From The Atmosphere
3518670 June 30, 1970 - Artificial Ion Cloud
3534906 - October 20, 1970 - Control of Atmospheric Particles
3545677 - December 8, 1970 - Method of Cloud Seeding
3564253 - February 16, 1971 - System And Method For Irradiation Of Planet Surface Areas
3587966 - June 28, 1971 - Freezing Nucleation
3601312 - August 24, 1971 - Methods of Increasing The Likelihood of Precipitation By The Artificial Introduction Of Sea Water Vapor Into The Atmosphere Windward Of An Air Lift Region
3608810 - September 28, 1971 - Methods of Treating Atmospheric Conditions
3608820 - September 20, 1971 - Treatment of Atmospheric Conditions by Intermittent Dispensing of Materials Therein
3613992 - October 19, 1971 - Weather Modification Method
3630950 - December 28, 1971 - Combustible Compositions For Generating Aerosols, Particularly Suitable For Cloud Modification And Weather Control And Aerosolization Process
USRE29142 - This patent is a reissue of patent US3630950 - Combustible compositions for generating aerosols, particularly suitable for cloud modification and weather control and aerosolization process
3659785 - December 8, 1971 - Weather Modification Utilizing Microencapsulated Material
3666176 - March 3, 1972 - Solar Temperature Inversion Device
3677840 - July 18, 1972 - Pyrotechnics Comprising Oxide of Silver For Weather Modification Use
3722183 - March 27, 1973 - Device For Clearing Impurities From The Atmosphere
3769107 - October 30, 1973 - Pyrotechnic Composition For Generating Lead Based Smoke
3784099 - January 8, 1974 - Air Pollution Control Method

3785557 - January 15, 1974 - Cloud Seeding System
3795626 - March 5, 1974 - Weather Modification Process
3808595 - April 30, 1974 - Chaff Dispensing System
3813875 - June 4, 1974 - Rocket Having Barium Release System to Create Ion Clouds In The Upper Atmosphere
3835059 - September 10, 1974 - Methods of Generating Ice Nuclei Smoke Particles For Weather Modification And Apparatus Therefore
3835293 - September 10, 1974 - Electrical Heating Apparatus For Generating Super Heated Vapors - Referenced in 3990987
3877642 - April 15, 1975 - Freezing Nucleant
3882393 - May 6, 1975 - Communications System Utilizing Modulation of The Characteristic Polarization of The Ionosphere
3896993 - July 29, 1975 - Process For Local Modification of Fog And Clouds For Triggering Their Precipitation And For Hindering The Development of Hail Producing Clouds
3899129 - August 12, 1975 - Apparatus for generating ice nuclei smoke particles for weather modification
3899144 - August 12, 1975 - Powder contrail generation
3940059 - February 24, 1976 - Method For Fog Dispersion
3940060 - February 24, 1976 - Vortex Ring Generator
3990987 - November 9, 1976 - Smoke generator
3992628 - November 16, 1976 - Countermeasure system for laser radiation
3994437 - November 30, 1976 - Broadcast dissemination of trace quantities of biologically active chemicals
4042196 - August 16, 1977 - Method and apparatus for triggering a substantial change in earth characteristics and measuring earth changes
RE29,142 - February 22, 1977 - Reissue of: 03630950 - Combustible compositions for generating aerosols, particularly suitable for cloud modification and weather control and aerosolization process
4035726 - July 12, 1977 - Method of controlling and/or improving high-latitude and other communications or radio wave surveillance systems by partial control of radio wave et al
4096005 - June 20, 1978 - Pyrotechnic Cloud Seeding Composition
4129252 - December 12, 1978 - Method and apparatus for production of seeding materials
4141274 - February 27, 1979 - Weather modification automatic cartridge dispenser
4167008 - September 4, 1979 - Fluid bed chaff dispenser
4347284 - August 31, 1982 - White cover sheet material capable of reflecting ultraviolet rays
4362271 - December 7, 1982 - Procedure for the artificial modification of atmospheric

precipitation as well as compounds with a dimethyl sulfoxide base for use in carrying out said procedure

4402480 - September 6, 1983 - Atmosphere modification satellite

4412654 - November 1, 1983 - Laminar microjet atomizer and method of aerial spraying of liquids

4415265 - November 15, 1983 - Method and apparatus for aerosol particle absorption spectroscopy

4470544 - September 11, 1984 - Method of and Means for weather modification

4475927 - October 9, 1984 - Bipolar Fog Abatement System

4600147 - July 15, 1986 - Liquid propane generator for cloud seeding apparatus

4633714 - January 6, 1987 - Aerosol particle charge and size analyzer

4643355 - February 17, 1987 - Method and apparatus for modification of climatic conditions

4653690 - March 31, 1987 - Method of producing cumulus clouds

4684063 - August 4, 1987 - Particulates generation and removal

4686605 - August 11, 1987 - Method and apparatus for altering a region in the earth's atmosphere, ionosphere, and/or magnetosphere

4704942 - November 10, 1987 - Charged Aerosol

4712155 - December 8, 1987 - Method and apparatus for creating an artificial electron cyclotron heating region of plasma

4744919 - May 17, 1988 - Method of dispersing particulate aerosol tracer

4766725 - August 30, 1988 - Method of suppressing formation of contrails and solution therefor

4829838 - May 16, 1989 - Method and apparatus for the measurement of the size of particles entrained in a gas

4836086 - June 6, 1989 - Apparatus and method for the mixing and diffusion of warm and cold air for dissolving fog

4873928 - October 17, 1989 - Nuclear-sized explosions without radiation

4948257 - August 14, 1990 - Laser optical measuring device and method for stabilizing fringe pattern spacing

4948050 - August 14, 1990 - Liquid atomizing apparatus for aerial spraying

4999637 - March 12, 1991 - Creation of artificial ionization clouds above the earth

5003186 - March 26, 1991 - Stratospheric Welsbach seeding for reduction of global warming

5005355 - April 9, 1991 - Method of suppressing formation of contrails and solution therefor

5038664 - August 13, 1991 - Method for producing a shell of relativistic particles at an altitude above the earths surface

5041760 - August 20, 1991 - Method and apparatus for generating and utilizing a compound

plasma configuration

5041834 - August 20, 1991 - Artificial ionospheric mirror composed of a plasma layer which can be tilted

5056357 - October 15, 1991- Acoustic method for measuring properties of a mobile medium

5059909 - October 22, 1991 - Determination of particle size and electrical charge

5104069 - April 14, 1992 - Apparatus and method for ejecting matter from an aircraft

5110502 - May 5, 1992 - Method of suppressing formation of contrails and solution therefor

5156802 - October 20, 1992 - Inspection of fuel particles with acoustics

5174498 - December 29, 1992 - Cloud Seeding

5148173 - September 15, 1992 - Millimeter wave screening cloud and method

5245290 - September 14, 1993 - Device for determining the size and charge of colloidal particles by measuring electroacoustic effect

5286979 - February 15, 1994 - Process for absorbing ultraviolet radiation using dispersed melanin

5296910 - March 22, 1994 - Method and apparatus for particle analysis

5327222 - July 5, 1994 - Displacement information detecting apparatus

5357865 - October 25, 1994 - Method of cloud seeding

5360162 - November 1, 1994 - Method and composition for precipitation of atmospheric water

5383024 - January 17, 1995 - Optical wet steam monitor

5425413 - June 20, 1995 - Method to hinder the formation and to break-up overhead atmospheric inversions, enhance ground level air circulation and improve urban air quality

5434667 - July 18, 1995 - Characterization of particles by modulated dynamic light scattering

5441200 - August 15, 1995 - Tropical cyclone disruption

5486900 - January 23, 1996 - Measuring device for amount of charge of toner and image forming apparatus having the measuring device

5556029 - September 17, 1996 - Method of hydrometeor dissipation (clouds)

5628455 - May 13, 1997 - Method and apparatus for modification of supercooled fog

5631414 - May 20, 1997 - Method and device for remote diagnostics of ocean-atmosphere system state

5639441 - June 17, 1997 - Methods for fine particle formation

5762298 - June 9, 1998 - Use of artificial satellites in earth orbits adaptively to modify the effect that solar radiation would otherwise have on earth's weather

5912396 - June 15, 1999 - System and method for remediation of selected atmospheric conditions

5922976 - July 13, 1999 - Method of measuring aerosol particles using automated mobility-

classified aerosol detector**5949001 - September 7, 1999 - Method for aerodynamic particle size analysis****5984239 - November 16, 1999 - Weather modification by artificial satellite****6025402 - February 15, 2000 - Chemical composition for effectuating a reduction of visibility obscuration, and a detoxification of fumes and chemical fogs in spaces of fire origin****6030506 - February 29, 2000 - Preparation of independently generated highly reactive chemical species****6034073 - March 7, 2000 - Solvent detergent emulsions having antiviral activity****6045089 - April 4, 2000 - Solar-powered airplane****6056203 - May 2, 2000 - Method and apparatus for modifying supercooled clouds****6110590 - August 29, 2000 - Synthetically spun silk nanofibers and a process for making the same****6263744 - July 24, 2001 - Automated mobility-classified-aerosol detector****6281972 - August 28, 2001 - Method and apparatus for measuring particle-size distribution****6315213 - November 13, 2001 - Method of modifying weather****6382526 - May 7, 2002 - Process and apparatus for the production of nanofibers****6408704 - June 25, 2002 - Aerodynamic particle size analysis method and apparatus****6412416 - July 2, 2002 - Propellant-based aerosol generation devices and method****6520425 - February 18, 2003 - Process and apparatus for the production of nanofibers****6539812 - April 1, 2003 - System for measuring the flow-rate of a gas by means of ultrasound****6553849 - April 29, 2003 - Electrodynamic particle size analyzer****6569393 - May 27, 2003 - Method and device for cleaning the atmosphere**

[Chem Trail Tracking USA](#)

[Cliford Carnicom - Aerosol Crimes & Cover-up Documented](#)

[Rense.com Chemtrail Datapage](#)



JEFF RENSE LISTENERS!!!
PSST...FREE SHIPPING...JUST FOR YOU
CLICK HERE...SUCH A DEAL!

